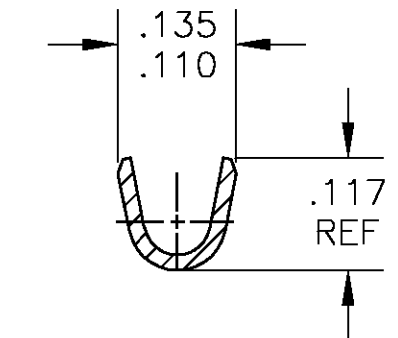
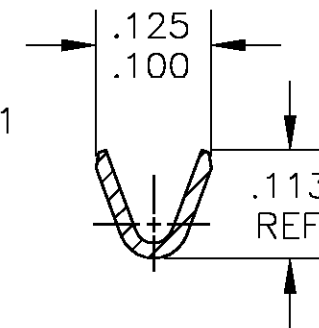
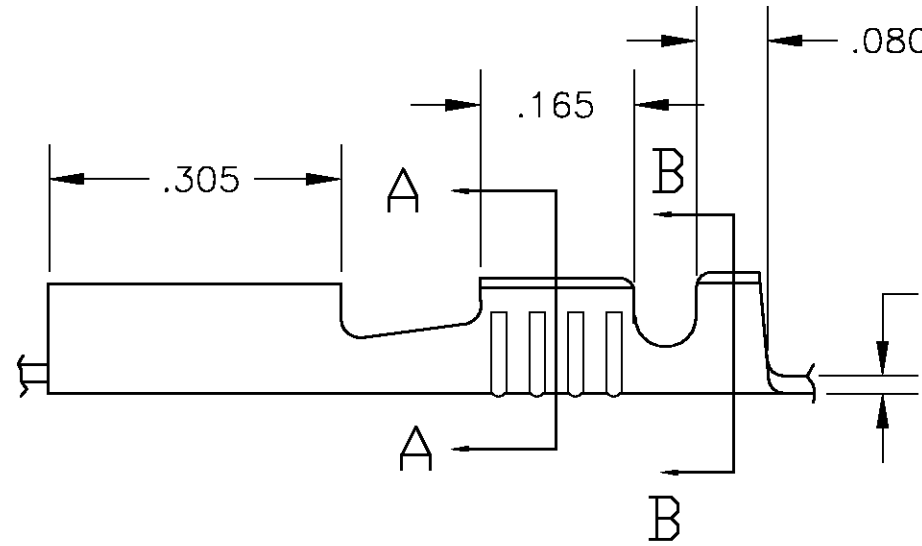
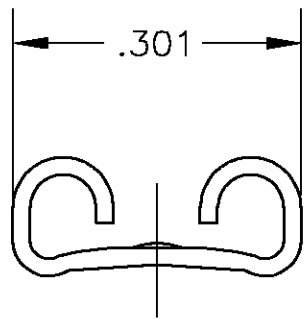
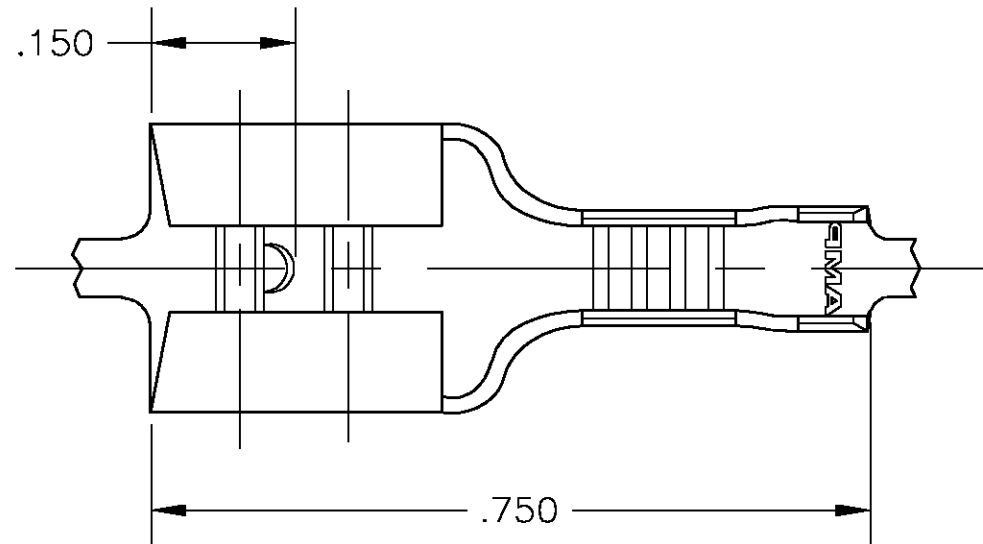


THIS DRAWING IS UNPUBLISHED. RELEASED FOR PUBLICATION  
 © COPYRIGHT BY TYCO ELECTRONICS CORPORATION. ALL RIGHTS RESERVED.

LOC	DIST	REVISIONS			
P	LTR	DESCRIPTION	DATE	DWN	APVD
AF	50	F	REDRAWN PER 0G3A-0022-04	14JAN04	JR PD

- CONTINUOUS STRIP ON REELS
- WIRE SIZE IS 22-18 AWG
- INSULATION RANGE IS .060-.100 DIA
- FEED IS  $.840 \pm .005$
- MATING TAB THK IS  $.032 \pm .001$



SECTION A-A

SECTION B-B

.000080 MIN TIN PLATE	42640-2
-	42640-1
FINISH	PART NO

THIS DRAWING IS A CONTROLLED DOCUMENT.		DWN jr_ruth 13JAN2004	Tyco Electronics Corporation Harrisburg, Pa, 17105-3608	
DIMENSIONS: INCHES		CHK P DESANTIS 13JAN04		
TOLERANCES UNLESS OTHERWISE SPECIFIED:		APVD P DESANTIS 13JAN04	NAME RECEPTACLE, FASTON, .250 SERIES	
0 PLC ± - 1 PLC ± - 2 PLC ± - 3 PLC ± .015 4 PLC ± - ANGLES ± -		PRODUCT SPEC -	SIZE A3	
MATERIAL H04 BRASS		FINISH SEE TABLE	CAGE CODE 00779	DRAWING NO C-42640
CUSTOMER DRAWING			RESTRICTED TO -	SCALE 5:1
			SHEET 1	OF 1
			REV F	